

DIGITAL PANEL METER - 72X72, 96X48, 96X96

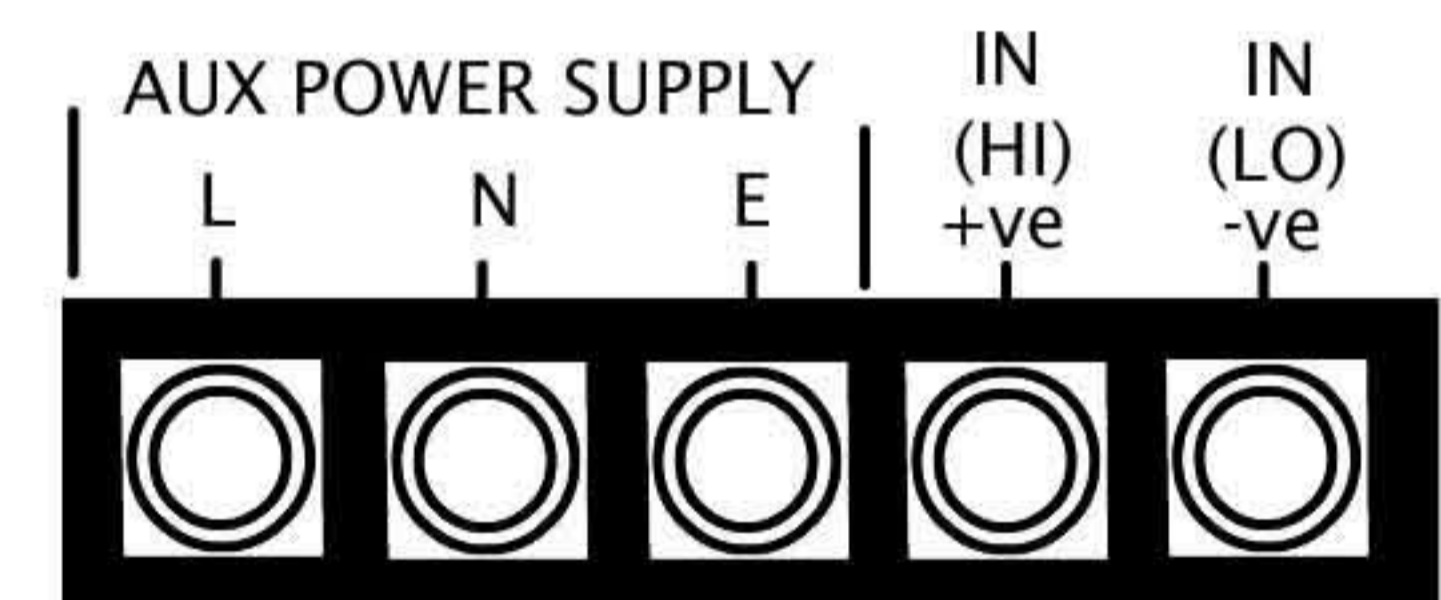
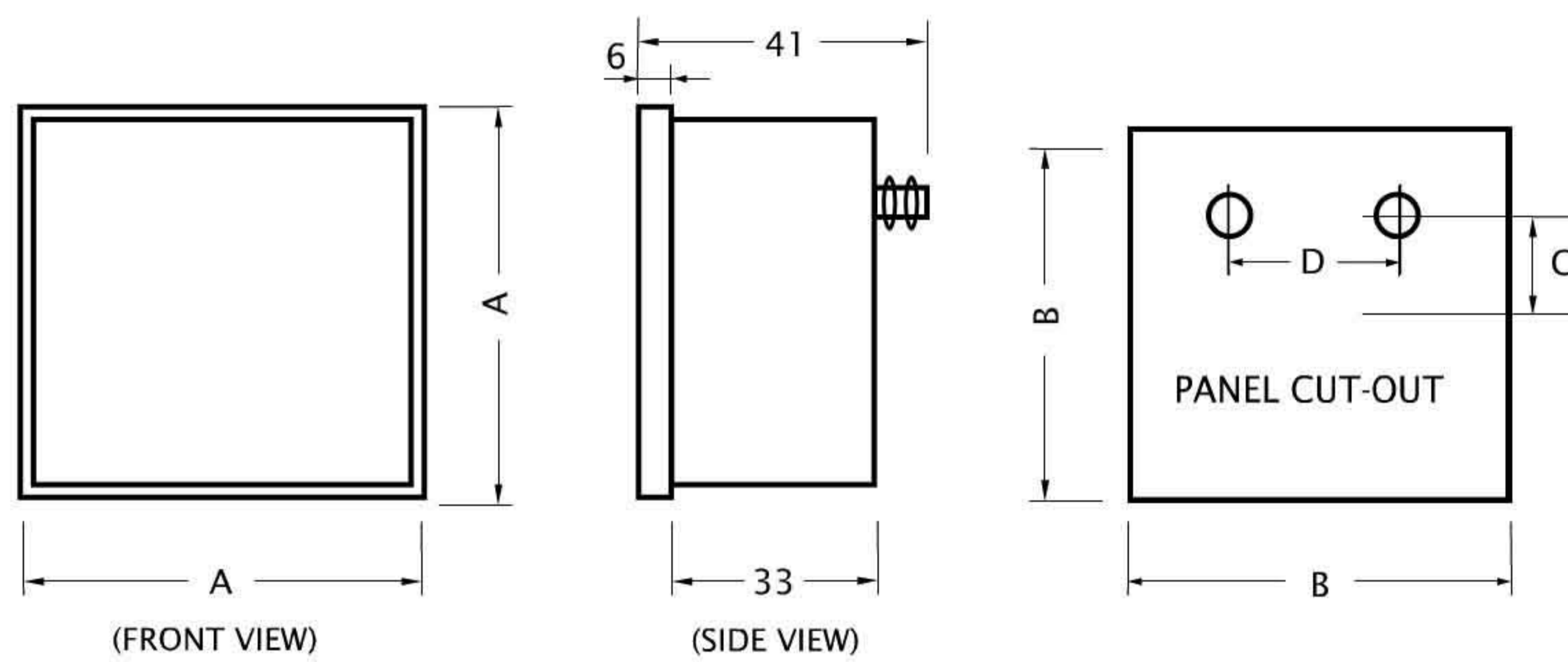
Beemet manufactures a wide array of 3 1/2 and 4 1/2 Digital Panel Meters. Our meters comprise of high quality components and come with bright red 7-segment LED displays. We deploy them through stringent tests and maintain strict quality control throughout the entire manufacturing process. Our DPMs can be scaled with a range from 10A - 160A and 200A - 1600A using a re-scalable DIP switch.



SALIENT FEATURES

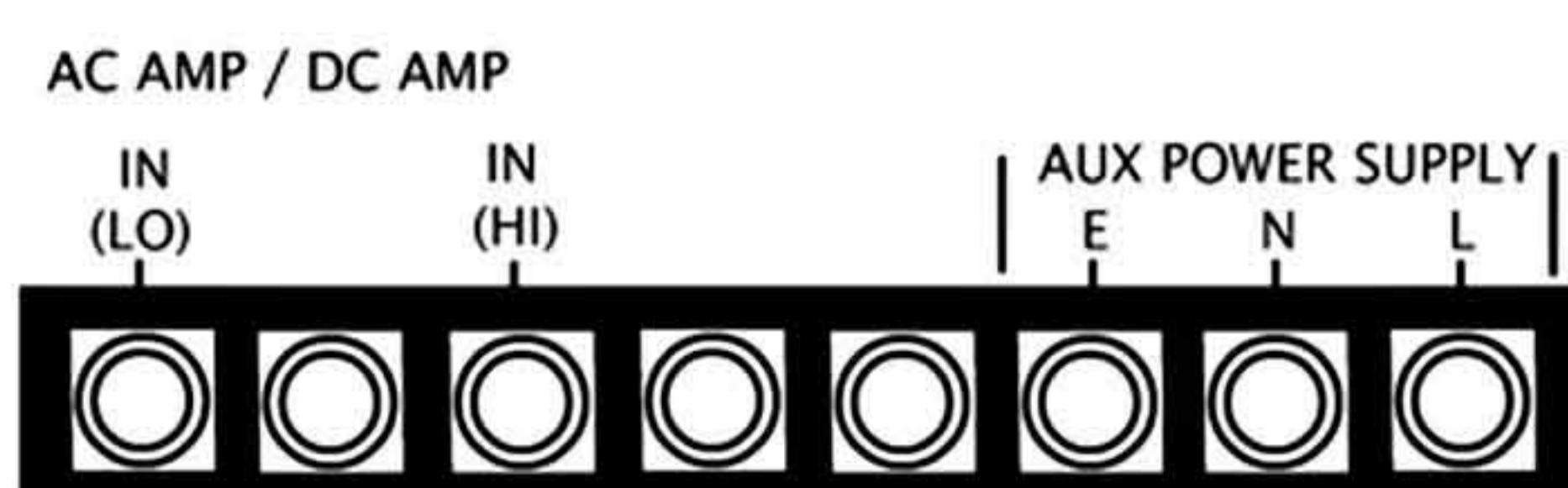
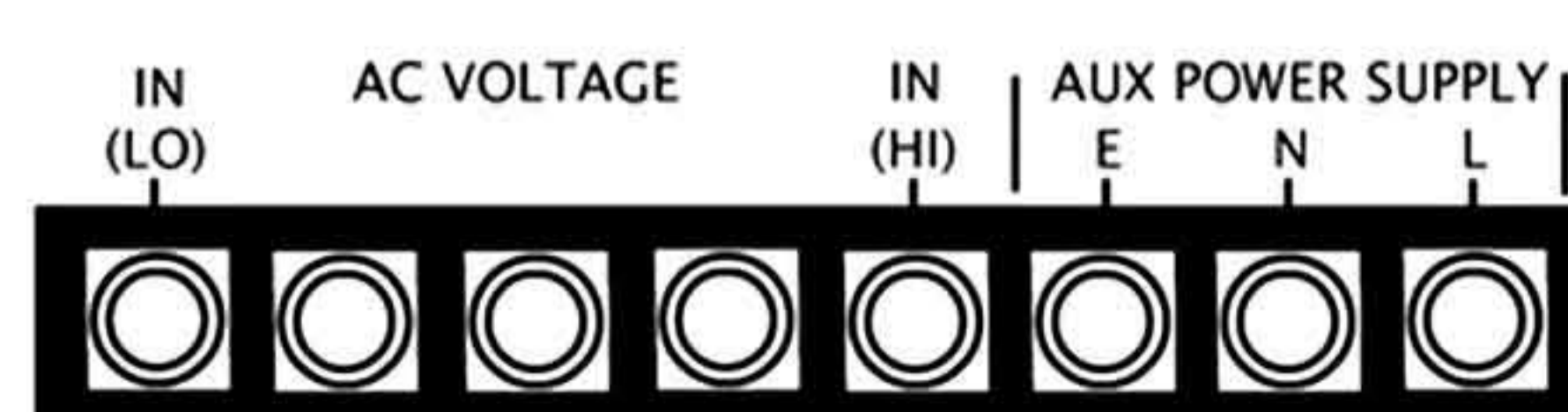
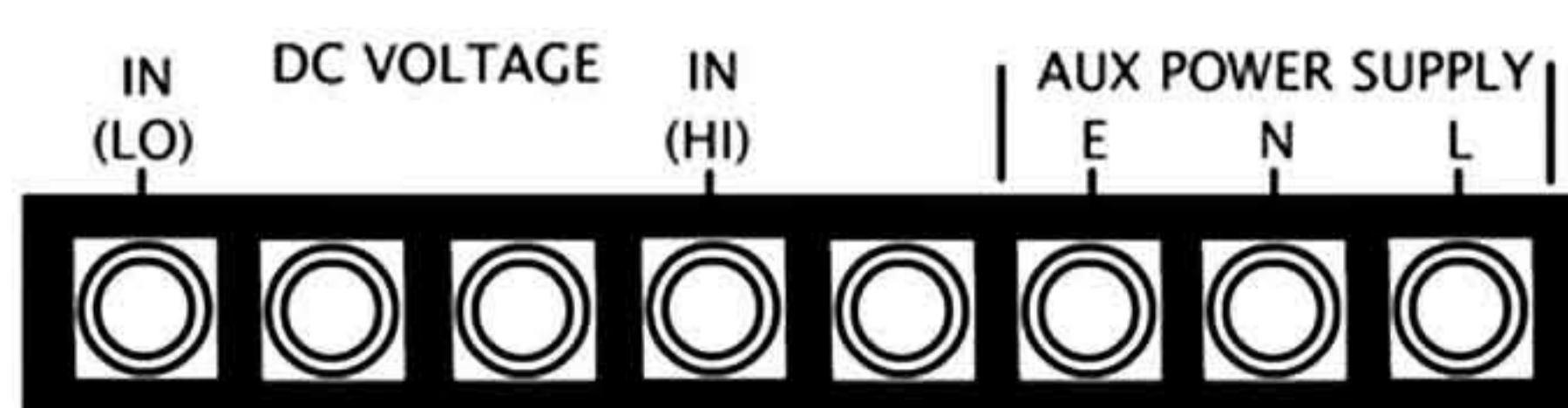
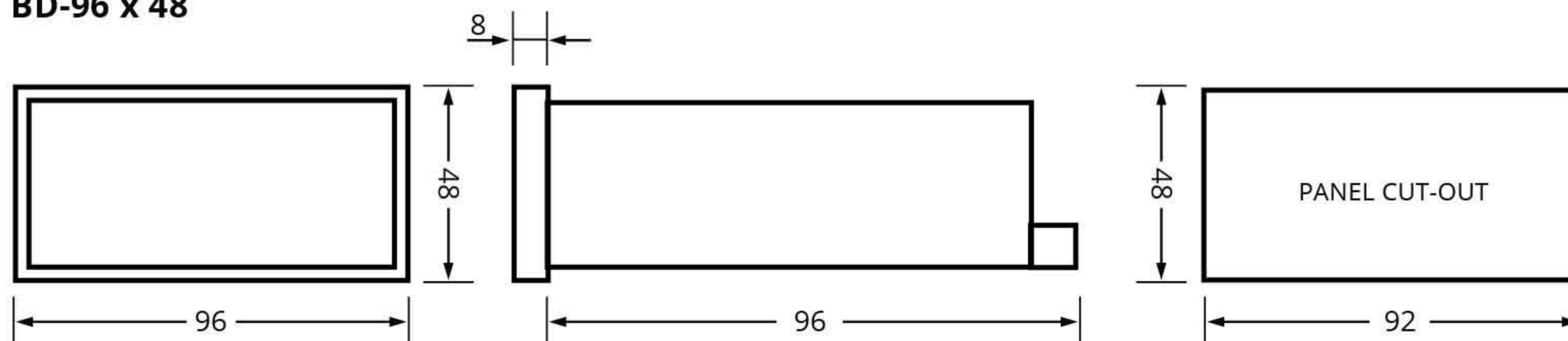
- 3 1/2 Digit - Dual Slop A/D Conversion.
- Super bright LED display for crystal clear long distance day light viewing.
- Built in Transducer.
- Compact size.

DIMENSIONS



MODEL	A	B	C	D	Panel Cutout
BD 72	72	66	18	38	67 x 67
BD 96	96	90	30	40	91 x 91

BD-96 x 48



SPECIFICATIONS

MEASURING RANGE	INPUT IMPEDENCE	RESOLUTION	ACCURACY	MAX. INPUT VOLT/CURRENT
DC VOLTS				
± 19.99 mV	100 MΩ	10 μV	0.2% ± 5dgt	± 20 V
± 199.9 mV	100 MΩ	100 μV	0.2% ± 2dgt	± 20 V
± 1.999 V	100 MΩ	1 mV	0.2% ± 2dgt	± 20 V
± 19.99 V	10 MΩ	10 mV	0.2% ± 2dgt	± 200 V
± 199.9 V	10 MΩ	100 mV	0.2% ± 2dgt	± 500 V
± 750 V	10 MΩ	1 V	0.5 % ± 3dg	± 750 V
DC CURRENT				
± 199.9 μA	1KΩ	100 nA	0.2% ± 2dgt	± 10 mA
± 1.999 mA	100 Ω	1 μA	0.2% ± 2dgt	± 50 mA
± 19.99 mA	10 Ω	10 μA	0.2% ± 2dgt	± 150 mA
± 199.9 mA	1 Ω	100 μA	0.2% ± 2dgt	± 500 mA
± 1.999 A	0.1 Ω	1 mA	0.5% ± 2dgt	± 3 A
± 5.00 A	0.01 Ω	10 mA	0.5% ± 2dgt	± 7 A
± 19.99 A	0.01 Ω	10 mA	1.0% ± 5dgt	± 22 A
AC VOLTAGE				
199.9 mV	10 MΩ	100 μV	0.5% ± 5dgt	20 V
1.999 V	10 MΩ	1 mV	0.5% ± 5dgt	20 V
19.99 V	10 MΩ	10 mV	0.5% ± 5dgt	200 V
199.9 V	10 MΩ	100 mV	0.5% ± 5dgt	200 V
750.0 V	10 MΩ	1 V	1.0% ± 5dgt	750 V
AC CURRENT				
199.9 μA	1 KΩ	100 nA	0.5% ± 5dgt	10 mA
1.999 mA	100 Ω	1 μA	0.5% ± 5dgt	50 mA
19.99 mA	10 Ω	10 μA	0.5% ± 5dgt	150 mA
199.9 mA	1 Ω	100 μA	0.5% ± 5dgt	500 mA
1.999 A	0.1 Ω	1 mA	0.5% ± 5dgt	3 mA
5.00 A	0.01 Ω	10 mA	0.5% ± 5dgt	7 A
19.99 A	0.01 Ω	10 mA	1.0% ± ngd	22 A