

MODULE METER

Beemet manufactures a wide array of 3 ½ and 4 ½ Digital Panel Meters. Our meters comprise of high quality components and come with bright red 7-segment LED displays. We deploy them through stringent tests and maintain strict quality control throughout the entire manufacturing process.

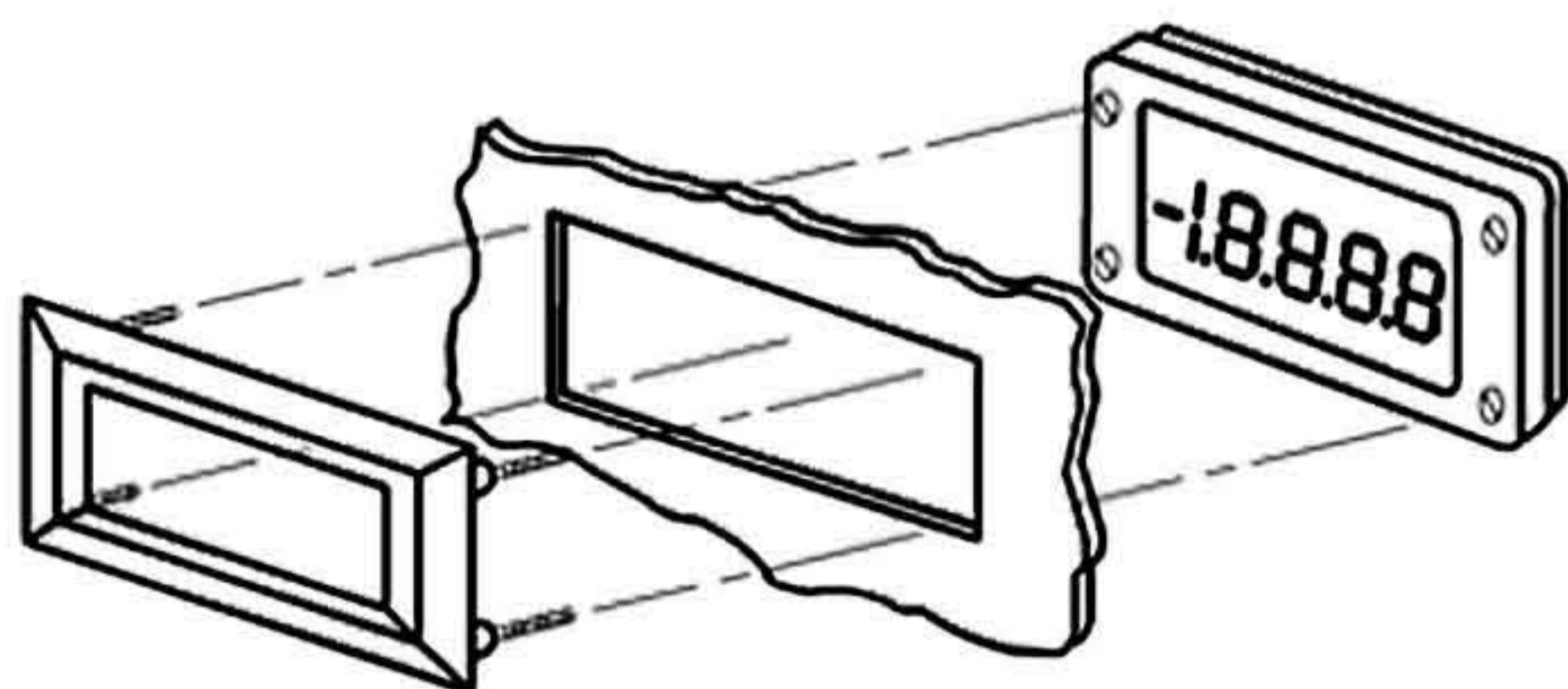
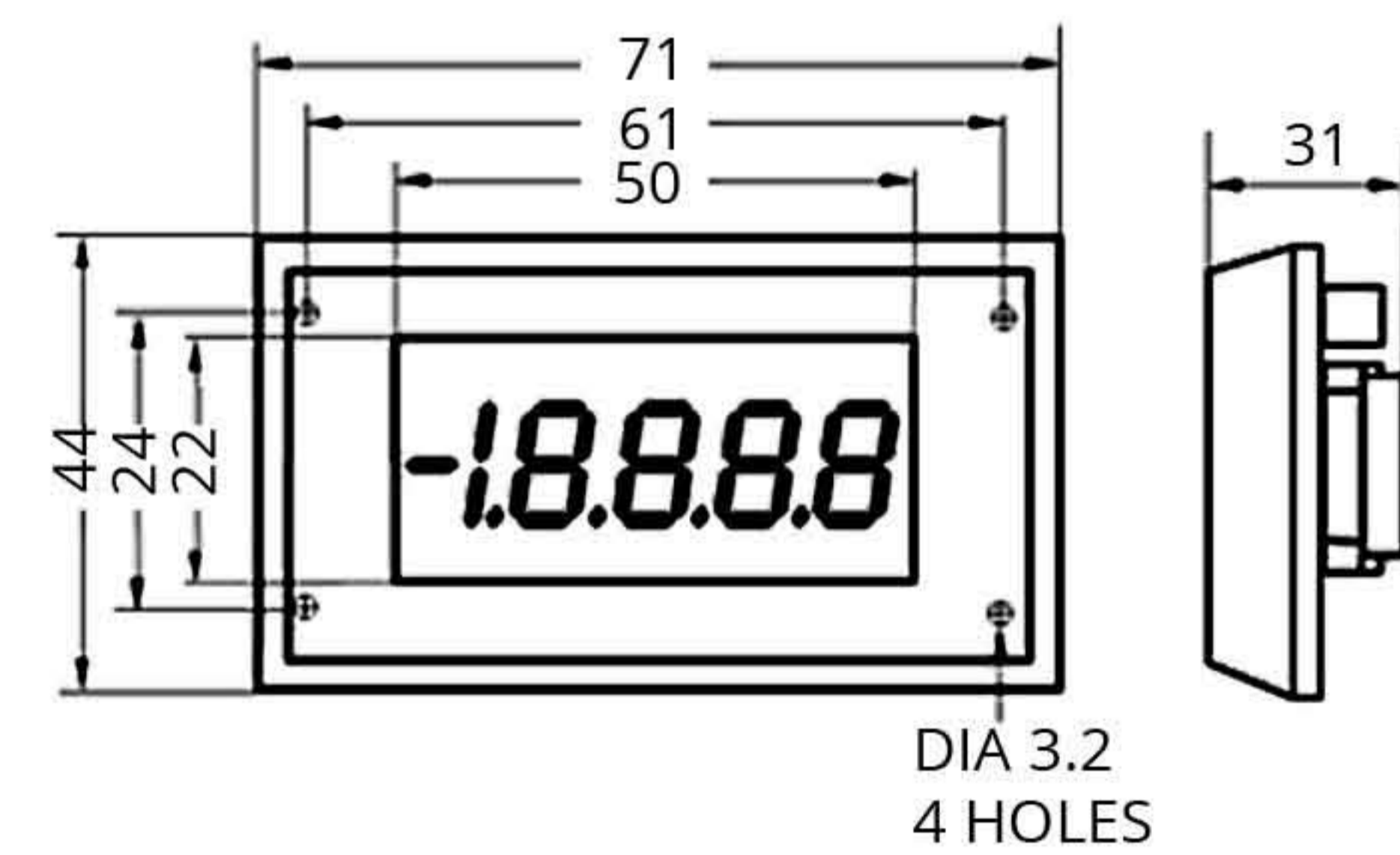


SALIENT FEATURES

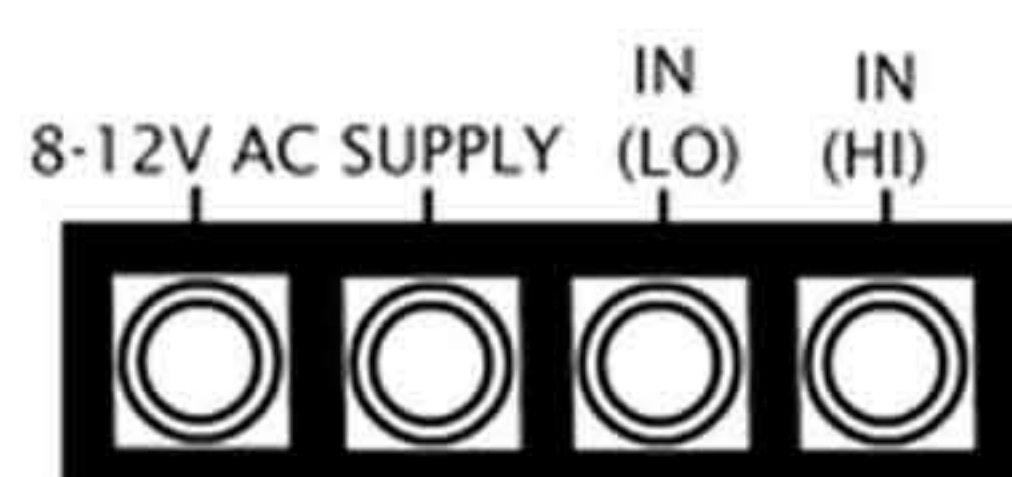
- 3 1/2 Digit - Dual Slop A/D Conversion.
- Super bright LED display for crystal clear long distance day light viewing.
- Compact size.

DIMENSIONS

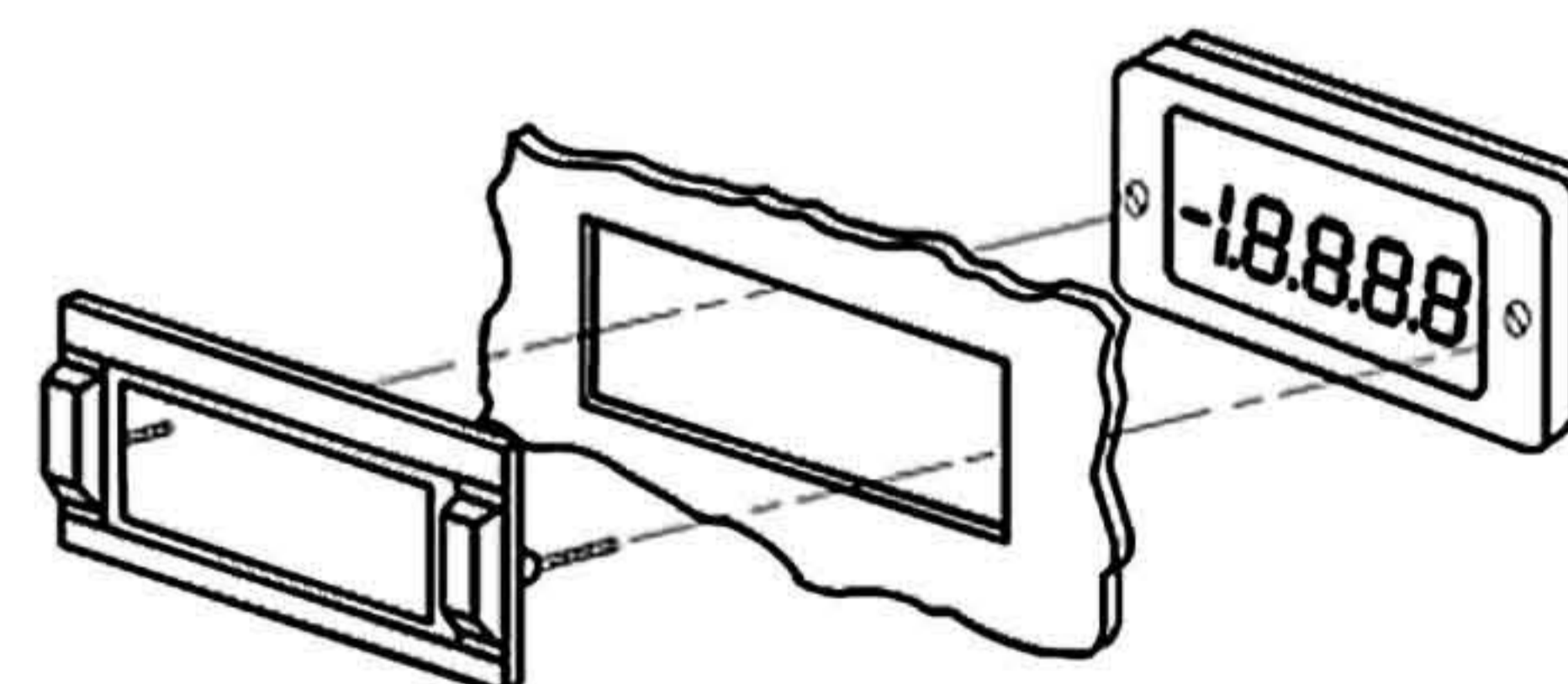
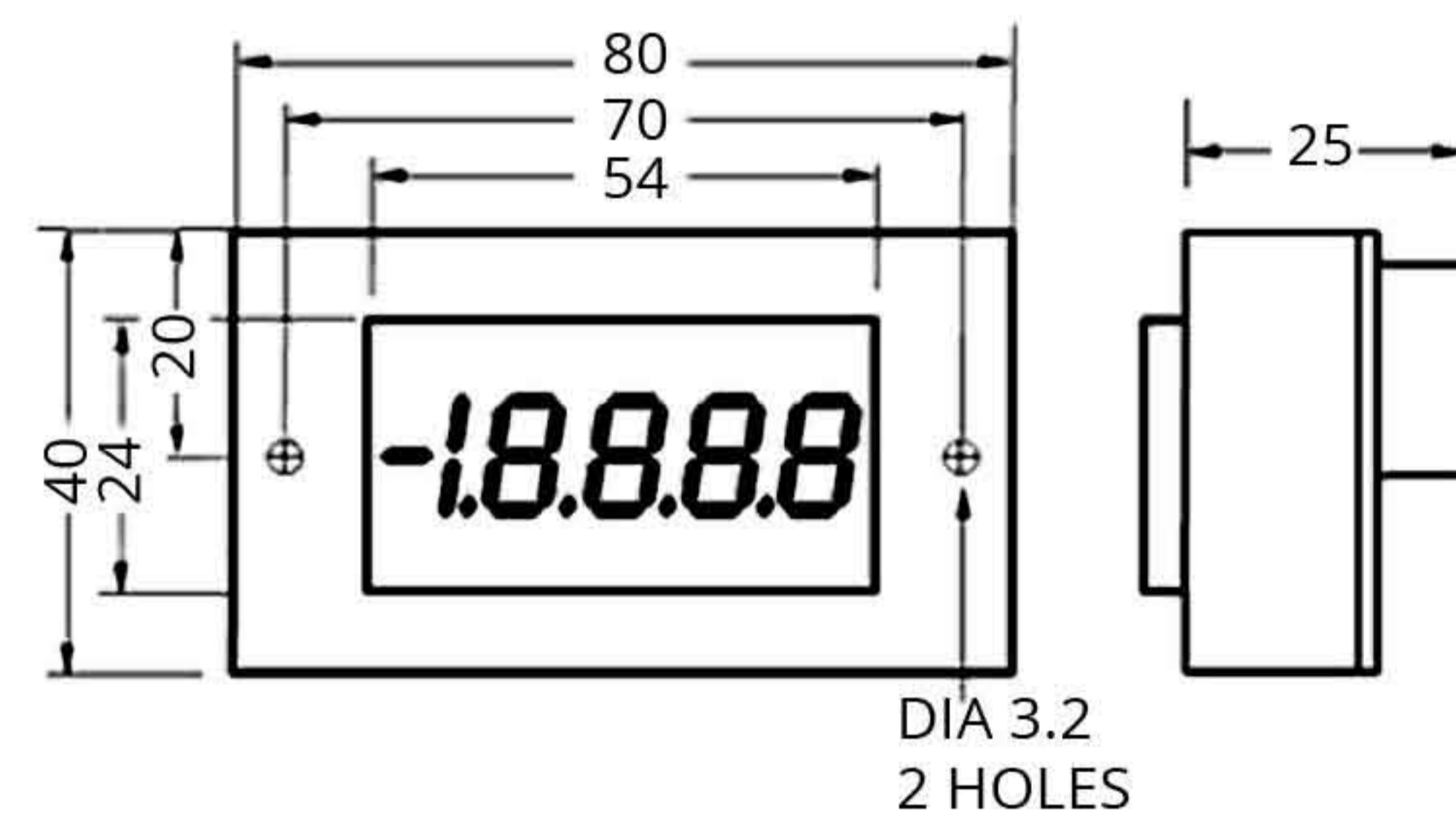
MD-35



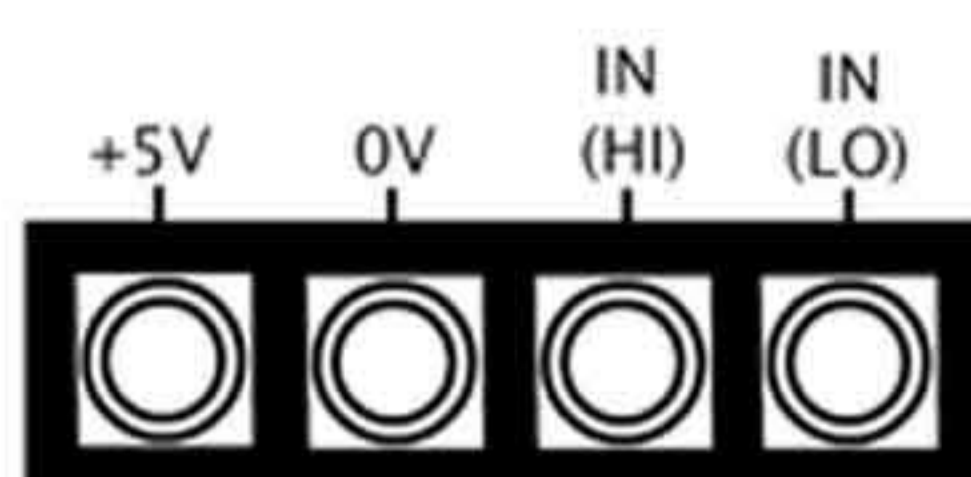
8-12 AC MODULE



MD 35N



5V DC MODULE



GENERAL SPECIFICATIONS

Operating Method	Dual Slope A/D Conversion
Input Bias Current	10pA Typical
Conversion Rate	2.5/sec
Display	14.2mm LED RED – STANDARD
Polarity Indication	" " is indicated
Operating Temperature	0-50 c (RH < 70%)
Power Supply	110V/240V AC (Any One)
Over Range Indication	" 1 " at MSD
External Start and Hold	Optional

RANGE CHART

MEASURING RANGE	INPUT IMPEDENCE	RESOLUTION	ACCURACY	MAX. INPUT VOLT/CURREN
DC VOLTS				
± 199.9 mV	100 MΩ	100 μV	0.1% ± 2dgt	± 20 V
± 1.999 V	100 MΩ	1 mV	0.1% ± 2dgt	± 20 V
± 19.99 V	10 MΩ	10 mV	0.1% ± 2dgt	± 200 V
± 199.9 V	10 MΩ	100 mV	0.1% ± 2dgt	± 500 V
DC CURRENT				
±199.9 μA	1 KΩ	100 nA	0.2% ± 2dgt	± 10 mA
± 1.999 mA	100 Ω	1 μA	0.2% ± 2dgt	± 50 mA
± 19.99 mA	10 Ω	10 μA	0.2% ± 2dgt	± 150 mA
± 199.9 mA	1 Ω	100 μA	0.2% ± 2dgt	± 500 mA
±1.999 A	0.1 Ω	1 mA	0.3% ± 2dgt	± 3A