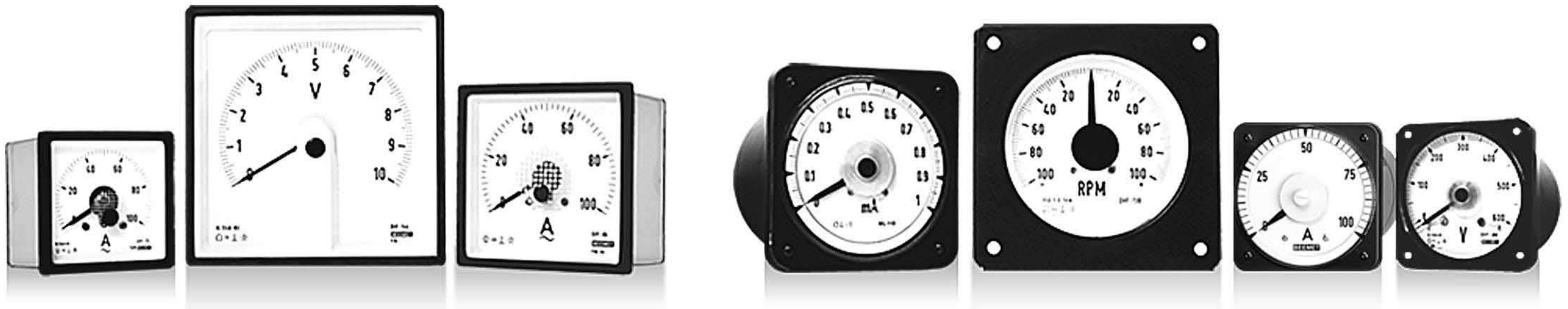


## ANALOG VF SERIES - 72, 80R, 80, 96, 110, 130, 144

Beemet VF series meters manufactured in Moving Coil type, feature extra wide scale, big bold numerals and divisions for unobstructed readings. These instruments take less panel space than conventional switchboard meters for the same scale length. The body is made of flame-retardant ABS plastic material which has high tracking index for maximum strength and safety. These meters are designed especially for stringent industrial, marine and power plants applications.



DVF-72, DVF-144, DVF-96

DVF-110, DVF-130, DVF-80R, 80

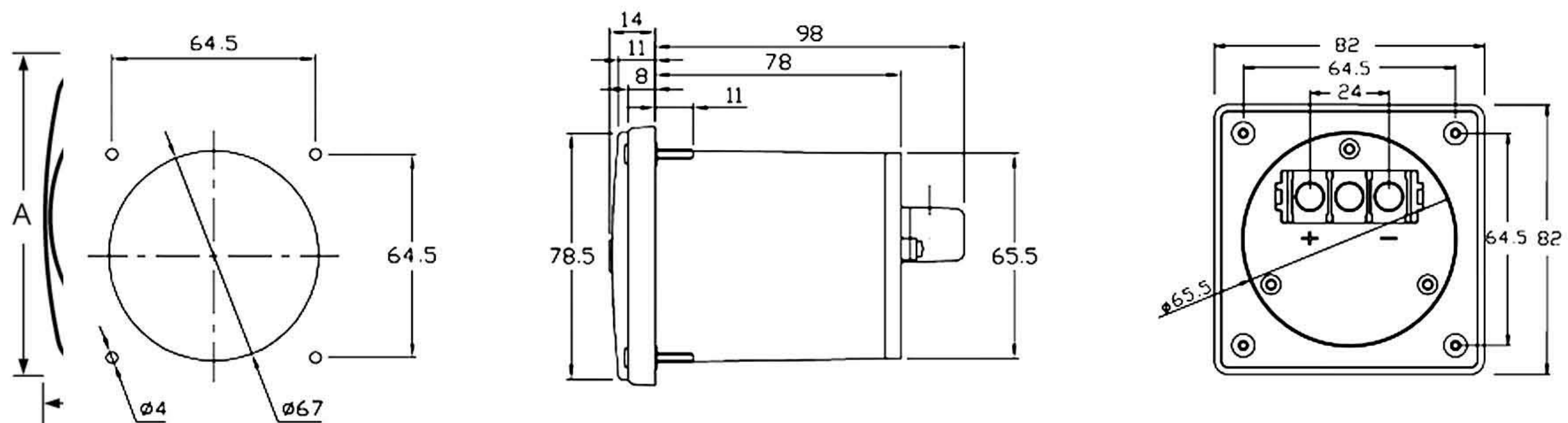
- Powerful and stable Alnico Magnets.
- Polished Carbon Steel Pivots.
- Jewelled Bearings for maximum accuracy.
- Phosphor Bronze Springs.
- Air tight and anti-static cases.

### SALIENT FEATURES

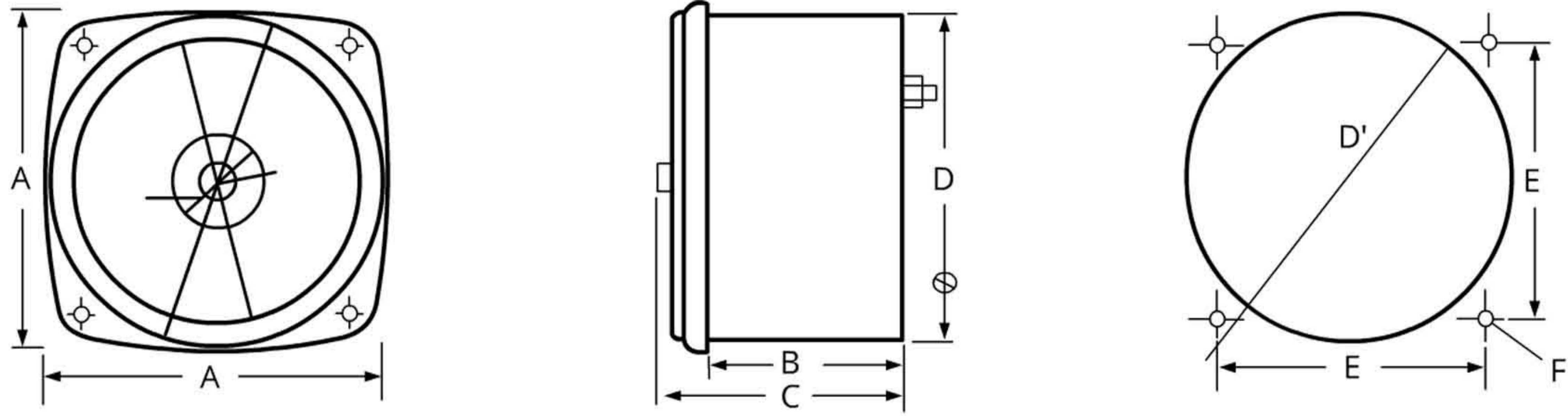
- Refinement in ease & accuracy of reading.
- High reliability in the design of 240° indication angle.
- Ideal for use on switchboards & panels.
- Internal core magnet type movement construction makes the meter unsusceptible to the effects of external magnetic fields & mounting panel materials.
- Confirms to IS. 1248-83 standards.

### DIMENSIONS

#### DVF- 80R

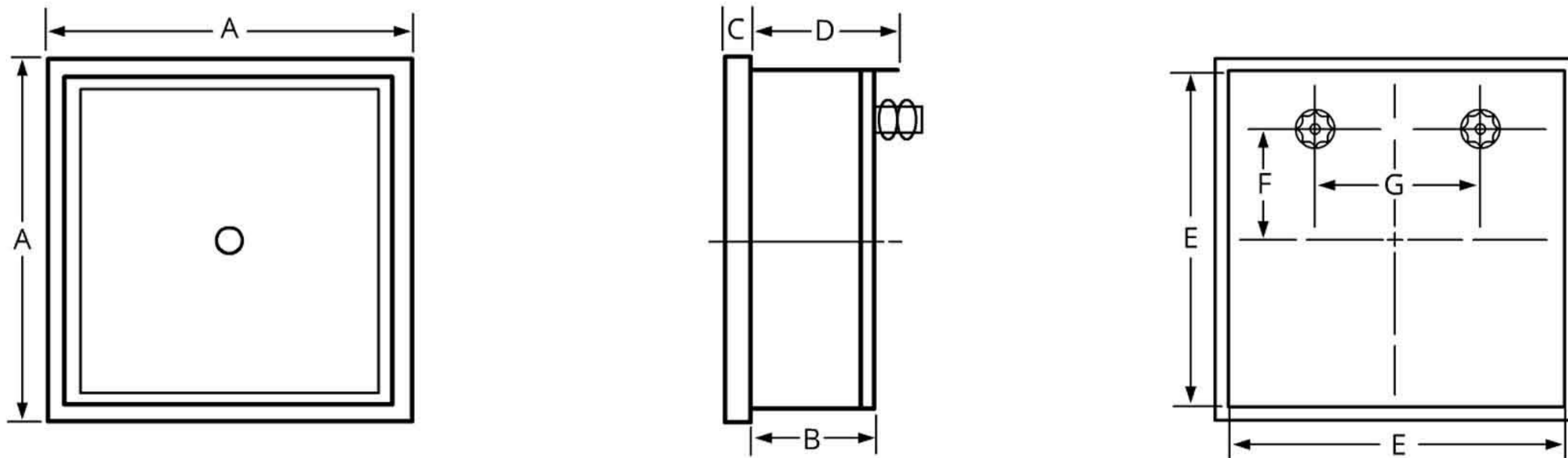


## DVF- 80, 110, 130



Model	Dimensions (mm)							Scale Length
	A	B	C	D	E	G	D'Ø Panel Cutout	
DVF-80	80	45	53	75	62	35	76	134
DVF-110	110	75	99	98	90	33	99	176
DVF-130	130	58	69	108	105	25	109	176

## DVF- 72, 96, 144



Model	Dimensions (mm)							Scale Length
	A	B	C	D	E	G	Panel Cutout	
DVF-72	72	60	6	70	66	35	67X67	109
DVF-96	96	60	6	70	90	35	91X91	153
DVF-144	130	58	69	108	105	25	145X 145	168

## RANGE CHART

Model	Description	Ammeter Range	Voltmeter Range
DVF- 72, 80R, 80, 96, 110, 130, 144	DC Moving Coil	25µA – 60A, 1A – 10000A*	10MV – 600V
SVF- 72, 80R, 80, 96, 110, 130, 144	AC Moving Coil Rectifier Type	10mA – 20A	1V - 600V

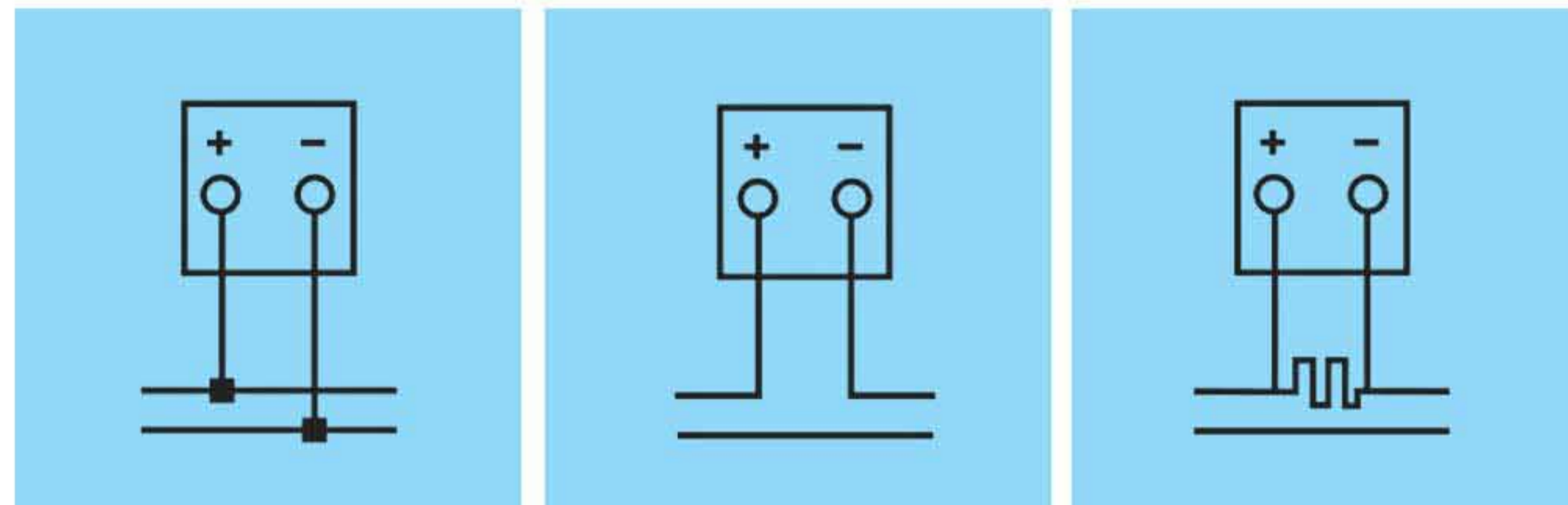
\* With external Shunt

## GENERAL SPECIFICATIONS

Accuracy Class	$\pm 1.5 / 2.0$ of FSD
Measurable quantities	AC and DC Voltage or Current
Pointer deflection	0 – 90°
Frequency	50/60Hz
Sensitivity	1000 $\Omega/V$ (Voltmeter); 200 $\Omega/V$ (Ammeter)
Overload capacity	According to IS: 1248 / IEC 51
Short duration for voltmeters	2 times for 5s: 1 overload 2 times for 0.5s: 9 overloads
Short duration for ammeters	10 times for 5s: 1 overload 10 times for 5s: 9 overloads
Continuously	1.2 times rated voltage or current
Operating Temperature	-10 to 55°C
Storage Temperature	-25 to 65°C
Relative Humidity	< 75% annual average, non-condensing

## WIRING DIAGRAM

### DC Moving Coil Voltmeters and Ammeters:

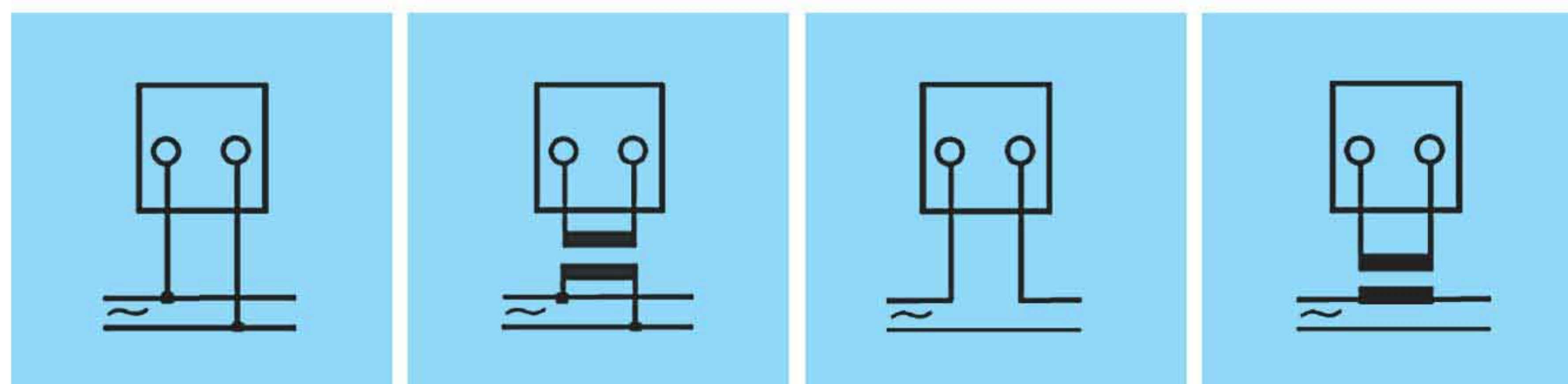


Voltmeter with direct connection

Ammeter with direct connection

Ammeter with shunt

### AC Moving Coil Voltmeters and Ammeters:



Voltmeter with direct connection

Voltmeter with PT

Ammeter with direct connection

Ammeter with CT