

ANALOG RM SERIES (65, 83, 106, 120)

Beemet RM series meters manufactured in both Moving Coil and Moving Iron type, are designed for rear panel mounting. This design feature improves panel appearance. The base is made of ABS plastic material which has high tracking index for maximum strength and safety.

- Powerful and stable Alnico Magnets.
- Polished Carbon Steel Pivots.
- Jewelled Bearings for maximum accuracy.
- Phosphor Bronze Springs.
- Air tight and anti-static cases.

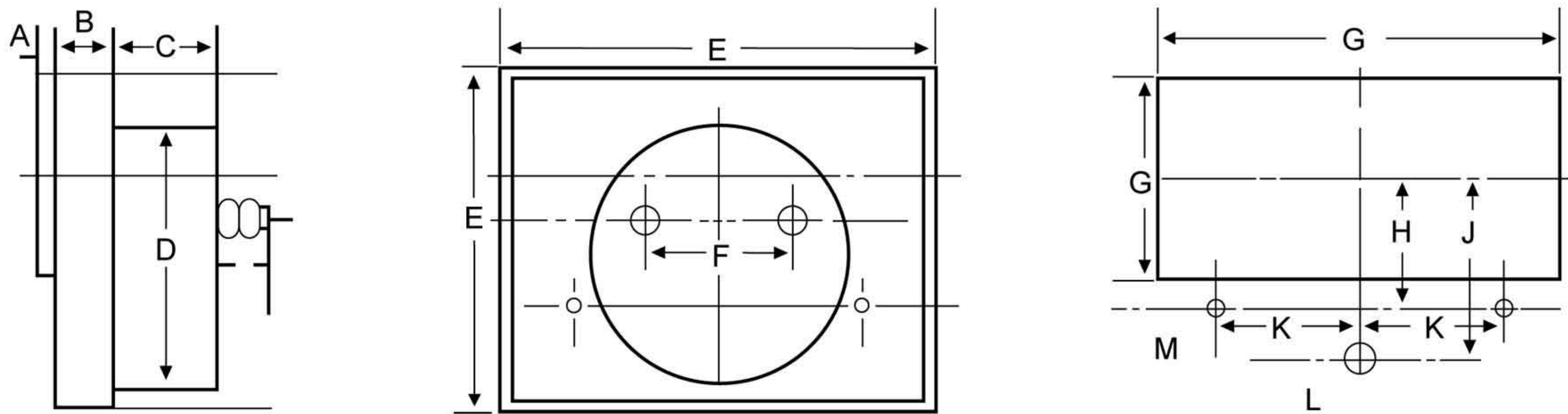


SALIENT FEATURES

- Rugged movement ensures sustained accuracy and reliability.
- Features modern design front optically clear polycarbonate cover.
- Clear and well-defined dial markings with knife edge pointer.
- Confirms to IS. 1248-83 standards.

DIMENSIONS

DRM-65, 83, 106, 120



Model	Dimensions (mm)															Scale Length
	A	B	C	D	E	E'	F	G	G'	H	J	K	K'	L	M	
DRM-65	2.5	10	27	55	65	65	25	62.5	32.5	38	36	24	24	7	3.5	60
DRM-83	3	10.5	25	65	63	83	83	76	38	35	41.5	35	35	7	3.5	75
DRM-106	4	12	27	65	48	106	84	98.5	50	33	44	35	35	7	3.5	77
DRM-120	3	12	27	70	60	120	102	115	55	32.5	44.5	50	65	7	3.5	100

RANGE CHART

Model	Description	Ammeter Range	Voltmeter Range
DRM- 65, 83, 106, 120	DC Moving Coil	25 μ A – 60A, 1A – 10000A*	10mV – 600V
ARM- 65, 83, 106	AC Moving Iron	10mA - 100A 1A – 10000A**	10V - 600V
SRM- 65,83,106, 120	AC Moving Coil Rectifier Type	1mA - 20A	1V - 600V

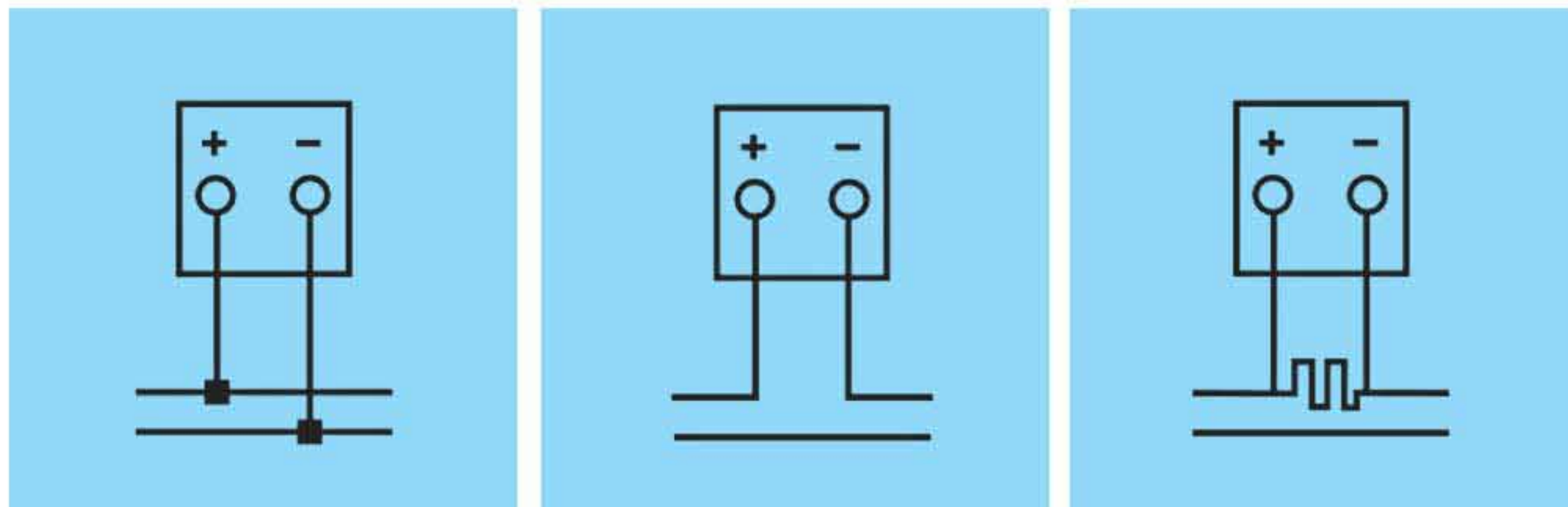
* With external Shunt ** With external CT

GENERAL SPECIFICATIONS

Accuracy Class	±1.5 / 2.0 of FSD
Measurable quantities	AC Voltage and DC Voltage or Current
Pointer deflection	0 – 90°
Frequency	50/60Hz
Sensitivity	1000Ω/V (Voltmeter); 200Ω/V (Ammeter)
Overload capacity	According to IS: 1248 / IEC 51
Short duration for voltmeters	2 times for 5s: 1 overload 2 times for 0.5s: 9 overloads
Short duration for ammeters	10 times for 5s: 1 overload 10 times for 5s: 9 overload
Continuously	1.2 times rated voltage or current
Operating Temperature	-10 to 55°C
Storage Temperature	-25 to 65°C
Relative Humidity	< 75% annual average, non-condensing

WIRING DIAGRAM

DC Moving Coil Voltmeters and Ammeters:

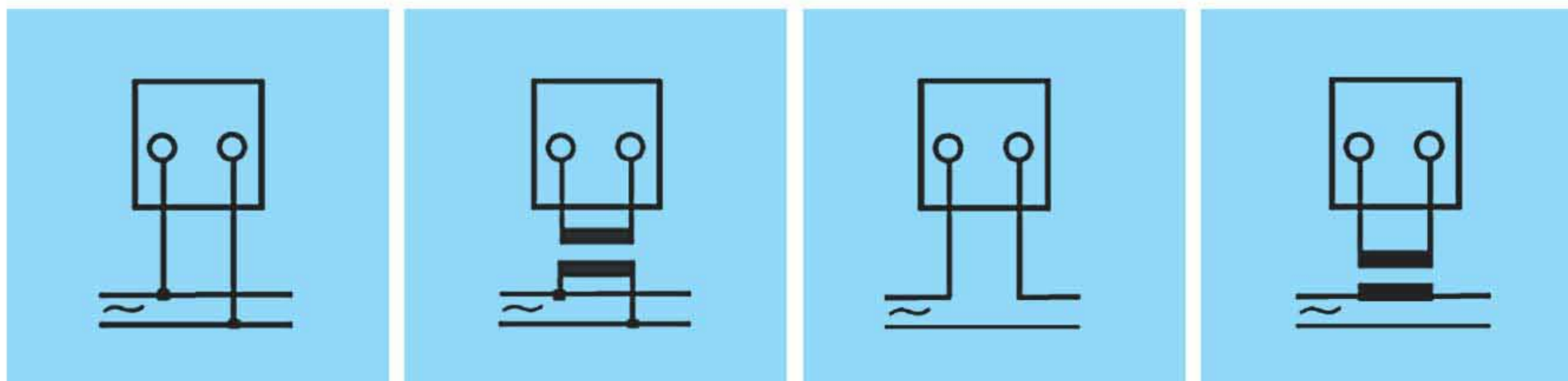


Voltmeter with direct connection

Ammeter with direct connection

Ammeter on shunt

AC Moving Coil Voltmeters and Ammeters:



Voltmeter with direct connection

Voltmeter with PT

Ammeter with direct connection

Ammeter with CT