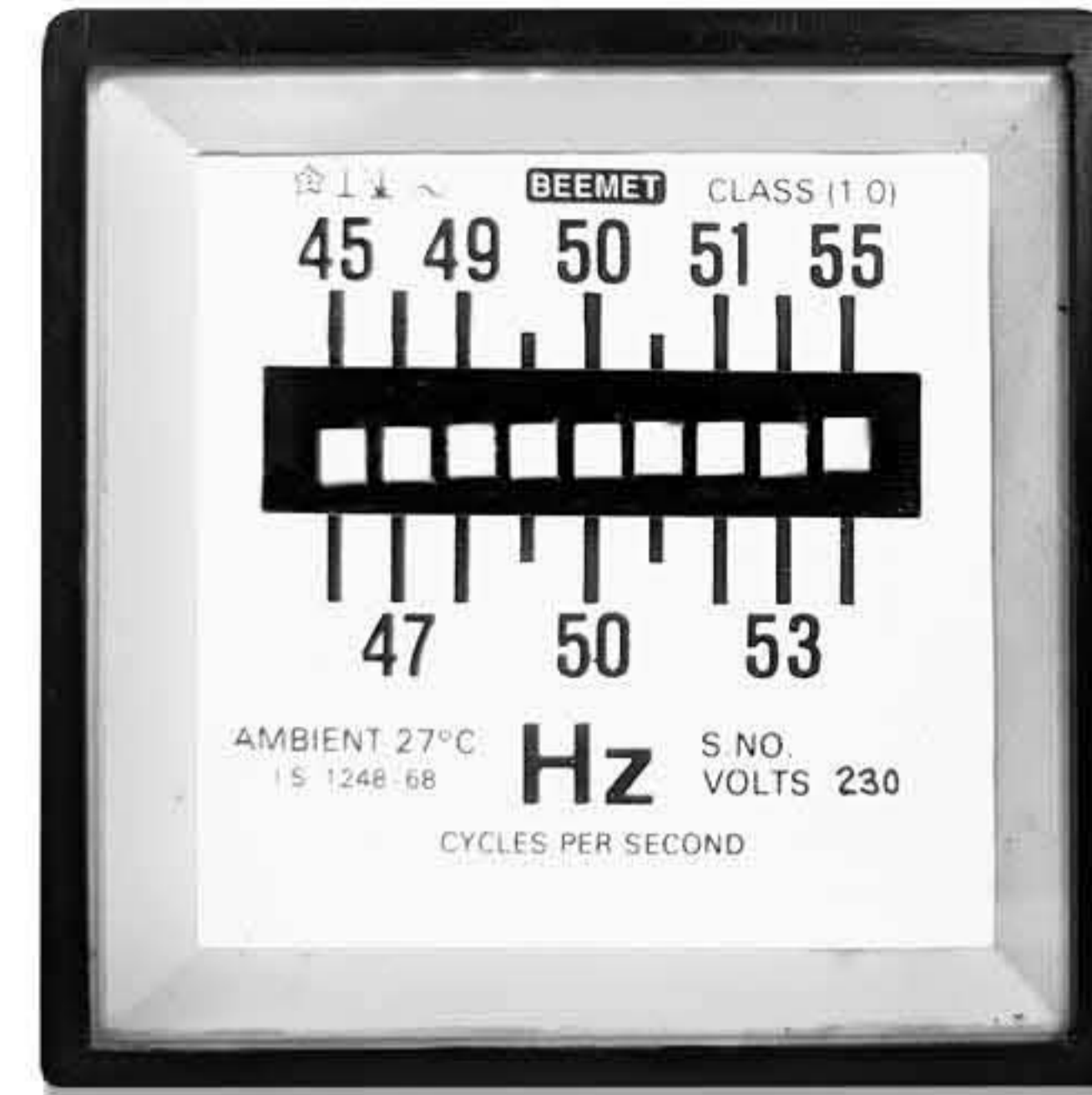


## FREQUENCY METERS REED TYPE / POINTER TYPE

Beemet Frequency meters are used to measure the applied frequency. They come as Pointer Type with built in Trasducer and Vibrating Reed Type.



REED TYPE

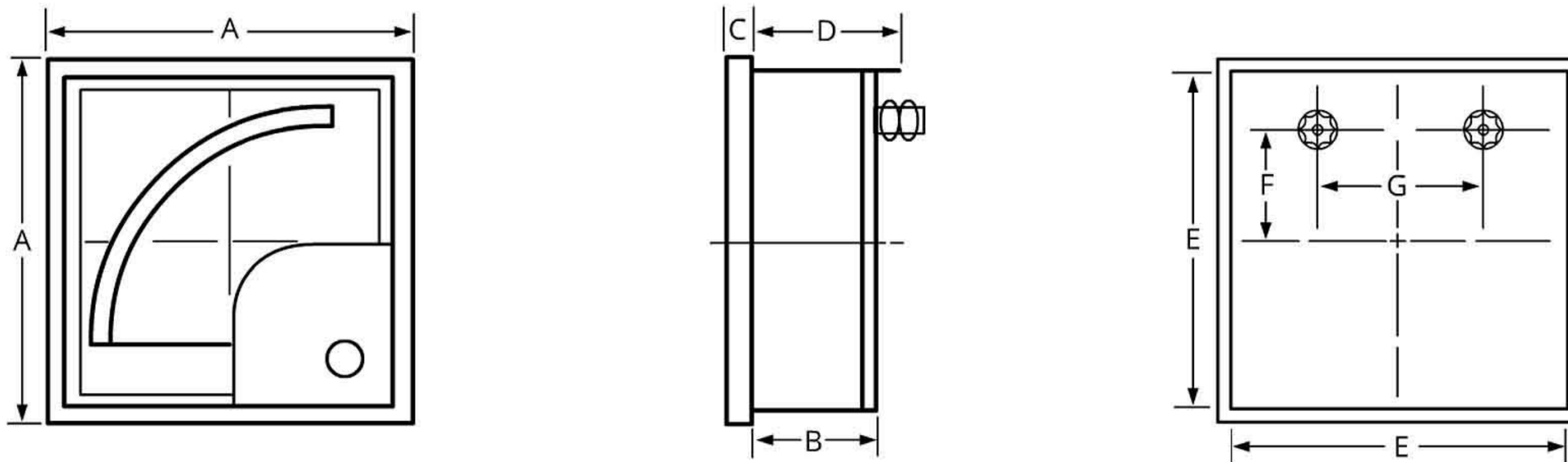


POINTER TYPE

### SALIENT FEATURES

- Vibrating Reed Type Frequency meters indicate the supply frequency by means of individual reeds, when rated voltage+ 20% is applied across the terminals of the meter, the particular reed, whose natural frequency of vibration coincides with the supply frequency, vibrates with full amplitude. In case the supply frequency falls midway between two reeds both the reeds vibrate, at reduced amplitude. The amplitude of vibration at the tip of reeds is high enough for a distinct indication.
- The Pointer Type Frequency Meter has a clear, well defined scale marking at 90 degree angle. The pointer indicates the applied frequency when voltage is applied across the terminals of the meter.

### DIMENSIONS



Model	Dimensions(mm)							Panel	Scale
	A	B	C	D	E	F	G		
SF-72, SP-72	72	33	6	40	66	18	38	67 X 67	60
SF-96, SP-96	96	33	6	41	90	30	40	91 X 91	90

### RANGE CHART

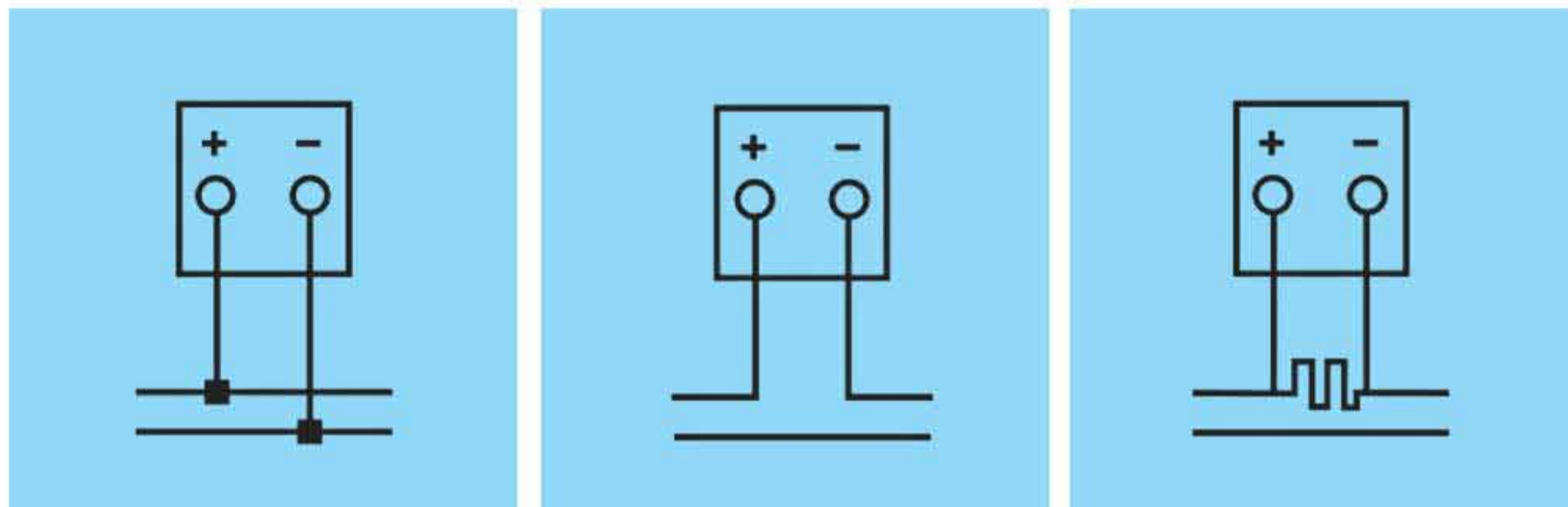
Model	Description	Range
SF-72, 96	Reed Type	45-50-55 HZ, 47-50-53 HZ, 55-60-65 HZ
SP-72, 96	Pointer Type	45-50-55 HZ, 47-50-53 HZ, 55-60-65 HZ

## GENERAL SPECIFICATIONS

Accuracy Class	$\pm 1.5 / 2.0$ of FSD
Measurable quantities	AC and DC Voltage or Current
Pointer deflection	0 – 90°
Frequency	50/60Hz
Sensitivity	1000 $\Omega/V$ (Voltmeter); 200 $\Omega/V$ (Ammeter)
Overload capacity	According to IS: 1248 / IEC 51
Short duration for voltmeters	2 times for 5s: 1 overload 2 times for 0.5s: 9 overloads
Short duration for ammeters	10 times for 5s: 1 overload 10 times for 5s: 9 overloads
Continuously	1.2 times rated voltage or current
Operating Temperature	-10 to 55°C
Storage Temperature	-25 to 65°C
Relative Humidity	< 75% annual average, non-condensing

## WIRING DIAGRAM

### DC Moving Coil Voltmeters and Ammeters:

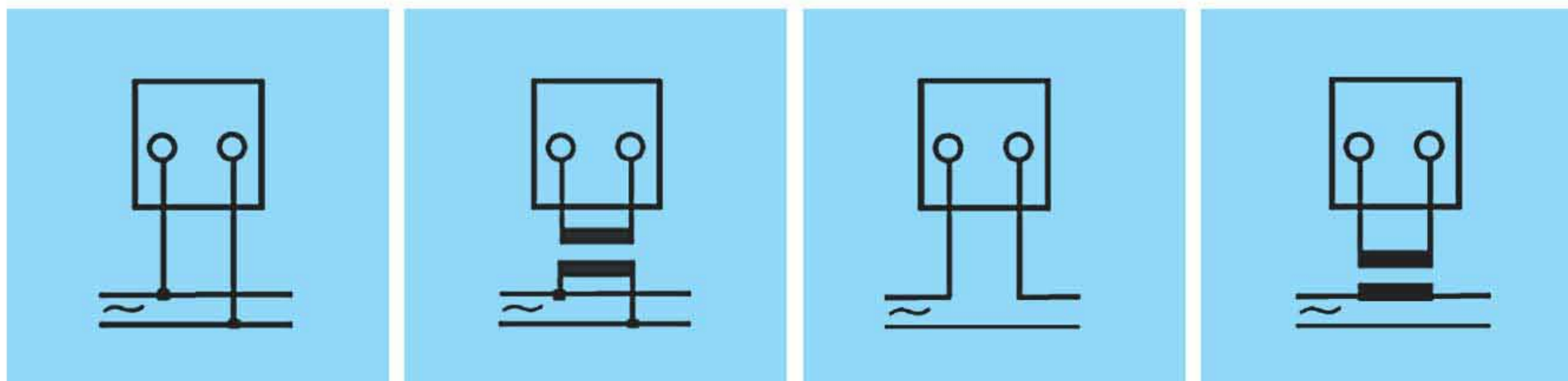


Voltmeter with direct connection

Ammeter with direct connection

Ammeter with shunt

### AC Moving Coil Voltmeters and Ammeters:



Voltmeter with direct connection

Voltmeter with PT

Ammeter with direct connection

Ammeter with CT