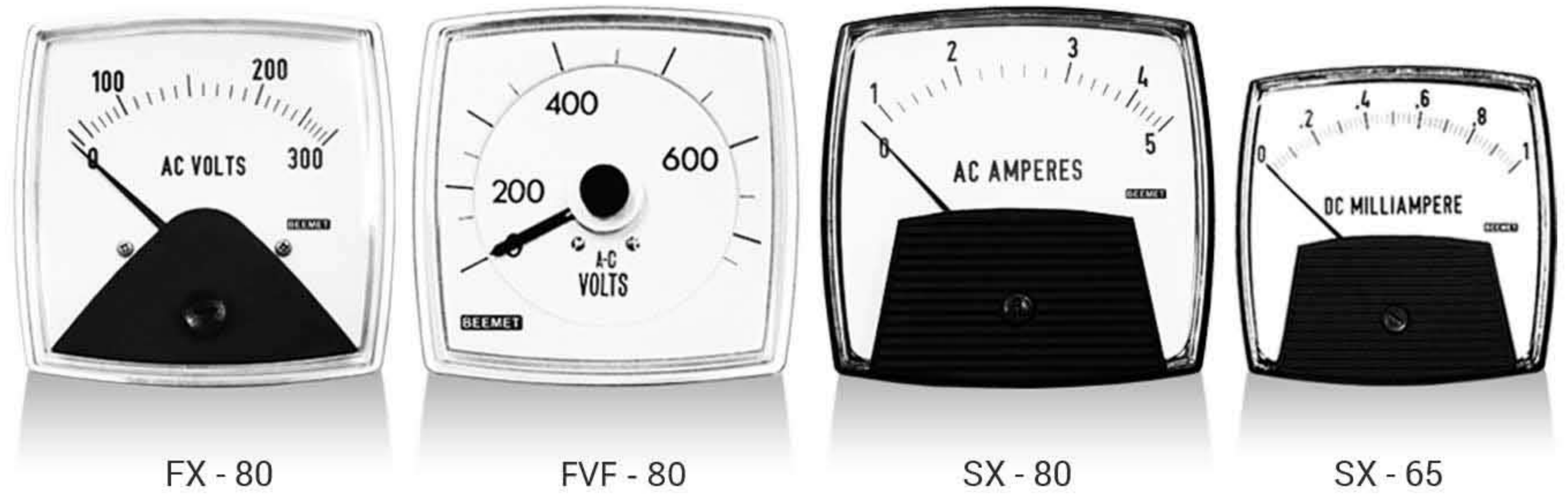


ANALOG FX, SX SERIES

Beemet SX and FX series of meters are designed as per the Saxon and Fiesta series of analog panel meter models widely popular in the USA and other parts of North America. Available in 2.5" and 2.5" sizes, these surface mount panel meters make use of Pivot & Jewel movements, and provide enhanced protection in demanding environments against dust and moisture.

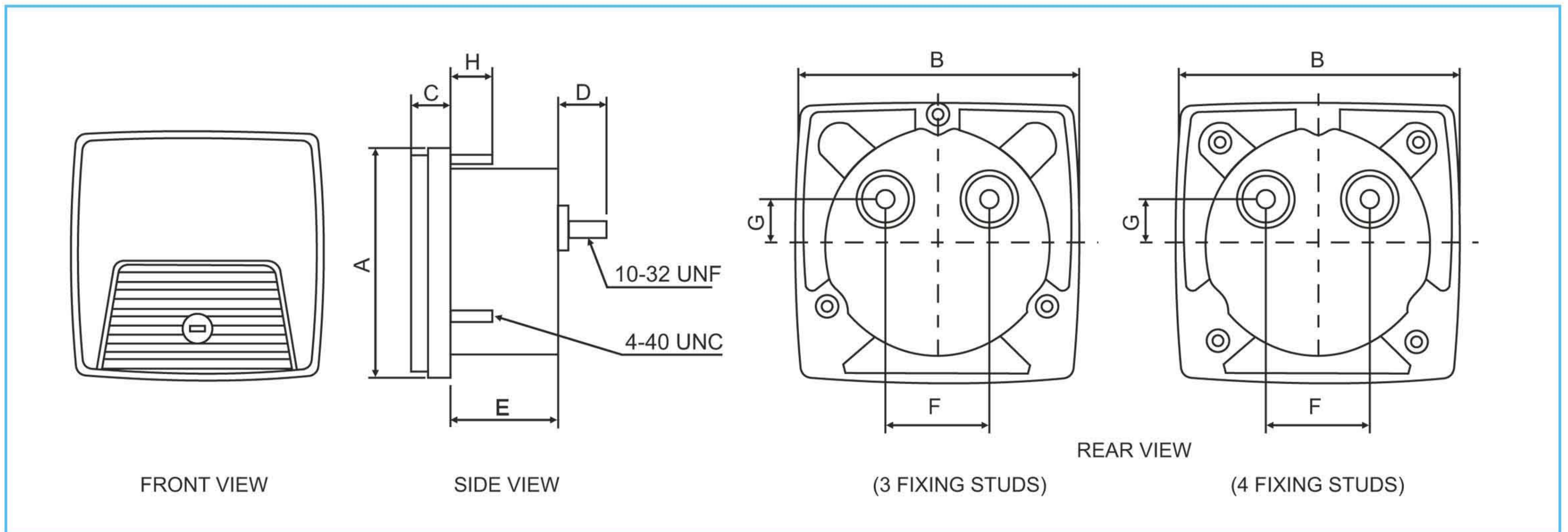
- Powerful and stable Alnico Magnets.
- Polished Carbon Steel Pivots.
- Jewelled Bearings for maximum accuracy.
- Phosphor Bronze Springs.
- Air tight and anti-static cases.



SALIENT FEATURES

- Compact sizes as per American standards.
- Enhanced protection against dust, humidity, shock and vibration.
- Complies with ANSI C39.1 / IEC 51 standards.
- Self-shielding movement to enable use in ferrous or non-ferrous panels.
- Forward mounted dials provide shadow-free wide viewing angles.
- Front bezel available in black and silver colours.
- Optional panel gasket available on request.

DIMENSIONS



TYPE		A	B	C	D	E	F	G	H	J	K	L	M	N	P	Q
SX-65	67.5mm	68.6	68.6	11.8	14.6	32.0	25.4	10.4	12.7	55.9	31	46.5	26.9	23.9	47.8	23.9
	2 ½ Inch	2.70	2.70	0.46	0.57	1.26	1.00	0.41	0.50	2.20	1.22	1.83	1.06	0.94	1.88	0.94
SX-65 FVF-80 SX-65	89mm	88.9	88.9	11.8	14.6	36.0	25.4	10.4	12.7	69.9	40.2	60.3	34.8	28.5	57.0	28.5
	3 ½ Inch	3.5	3.5	0.46	0.57	1.42	1.00	0.41	0.50	2.75	1.58	2.37	1.37	1.12	2.24	1.12

GENERAL SPECIFICATIONS

Accuracy Class	$\pm 1.5 / 2.0$ of FSD
Measurable quantities	AC Voltage and DC Voltage or Current
Pointer deflection	0 - 90°
Frequency	50/60Hz
Sensitivity	1000 Ω/V (Voltmeter); 200 Ω/V (Ammeter)
Overload capacity	According to IS: 1248 / IEC 51
Short duration for voltmeters	2 times for 5s: 1 overload 2 times for 0.5s: 9 overloads
Short duration for ammeters	10 times for 5s: 1 overload 10 times for 5s: 9 overloads
Continuously	1.2 times rated voltage or current
Operating Temperature	-10 to 55°C
Storage Temperature	-25 to 65°C
Relative Humidity	< 75% annual average, non-condensing

PANEL CUTOUT

