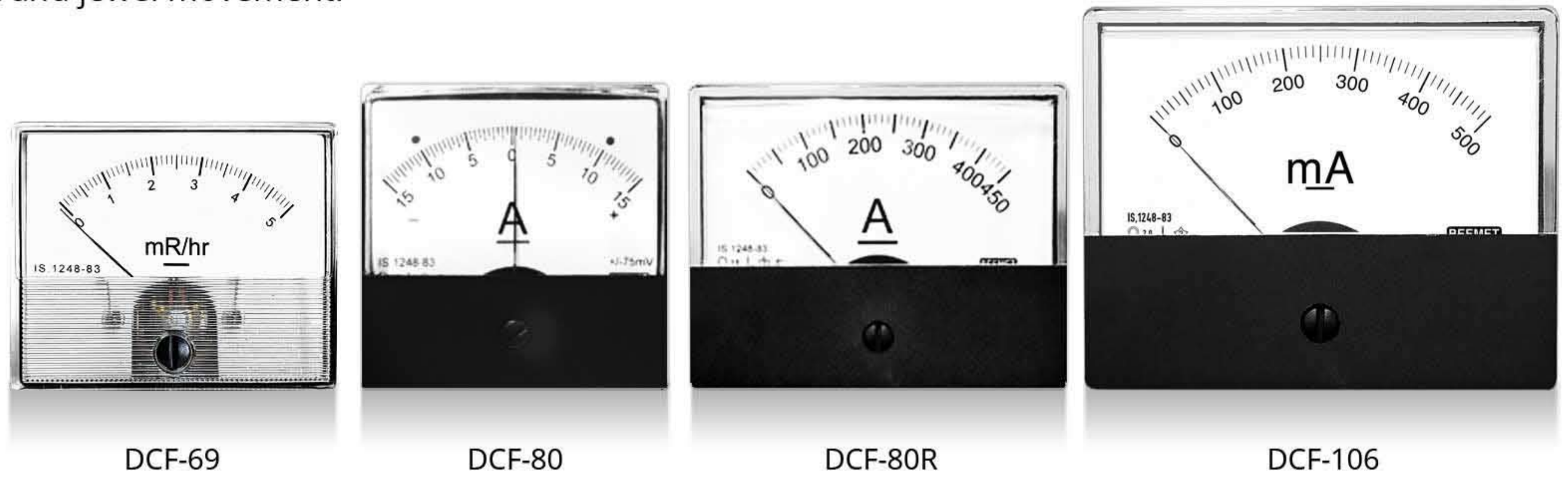


ANALOG CF SERIES-2 (69, 80, 80R, 106)

Beemet meters are designed to an internationally accepted standard. The performance confirms to IS 1248-83/93. The range offers AC and DC Ammeters, Voltmeters and frequency meters utilizing a high torque pivot and jewel movement.

- Powerful and stable Alnico Magnets.
- Polished Carbon Steel Pivots.
- Jewelled Bearings for maximum accuracy.
- Phosphor Bronze Springs.
- Air tight and anti-static cases.

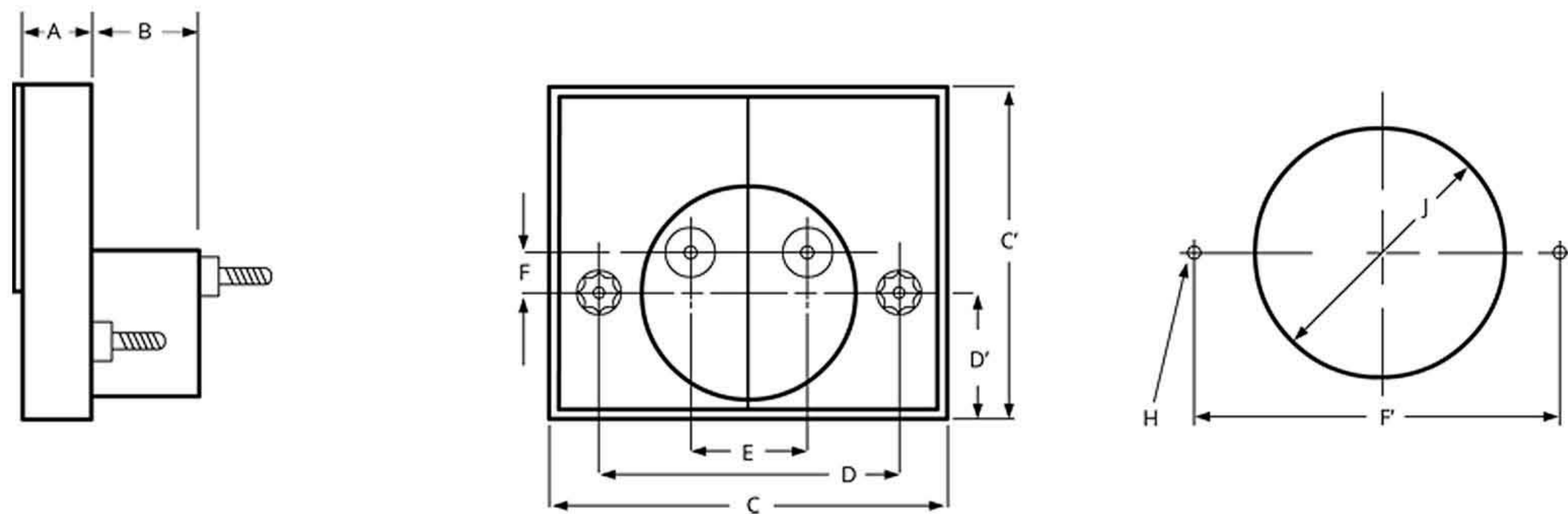


SALIENT FEATURES

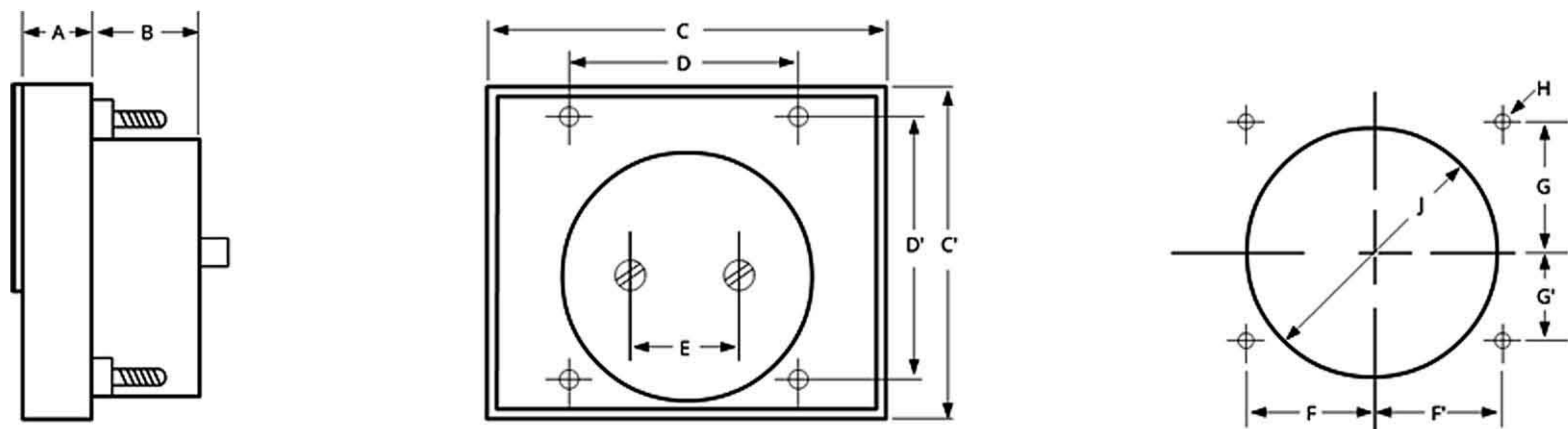
- Rugged movement ensures sustained accuracy and reliability.
- Features modern design front optically clear polycarbonate cover.
- Clear and well-defined dial markings with knife edge pointer.
- Confirms to IS. 1248-83 standards.

DIMENSIONS

DCF- 69



DCF-80, 80R, 106



Model	Dimensions (mm)													Scale Length
	A	B	C	C'	D	D'	E	F	F'	G	G'	H	J	
DCF-69	12	21	69	57.5	52	23.5	25	5.0	52			4	39	53
DCF-80	12.5	22	80	80	63	63	35	31.5	31.5	31.5	31.5	3.5	65	71
DCF-80R	11	21	80	64	48	48	33	24	24	24	24	3.5	55	61
DCF-106	13	77	106	84	60	66	36	30	30	37.5	28.5	3.5	65	77

RANGE CHART

Model	Description	Ammeter	Voltmeter
DCF-69, 80, 80R, 120	DC Moving Coil	25 μ A – 60A, 1A – 10000A*	10mV – 600V
ACF-80, 106	AC Moving Iron	10mA – 100A 1A – 10000A**	10V - 600V
SCF-69, 80, 80R, 120	AC Moving Coil Rectifier Type	1mA – 20A	1V - 600V

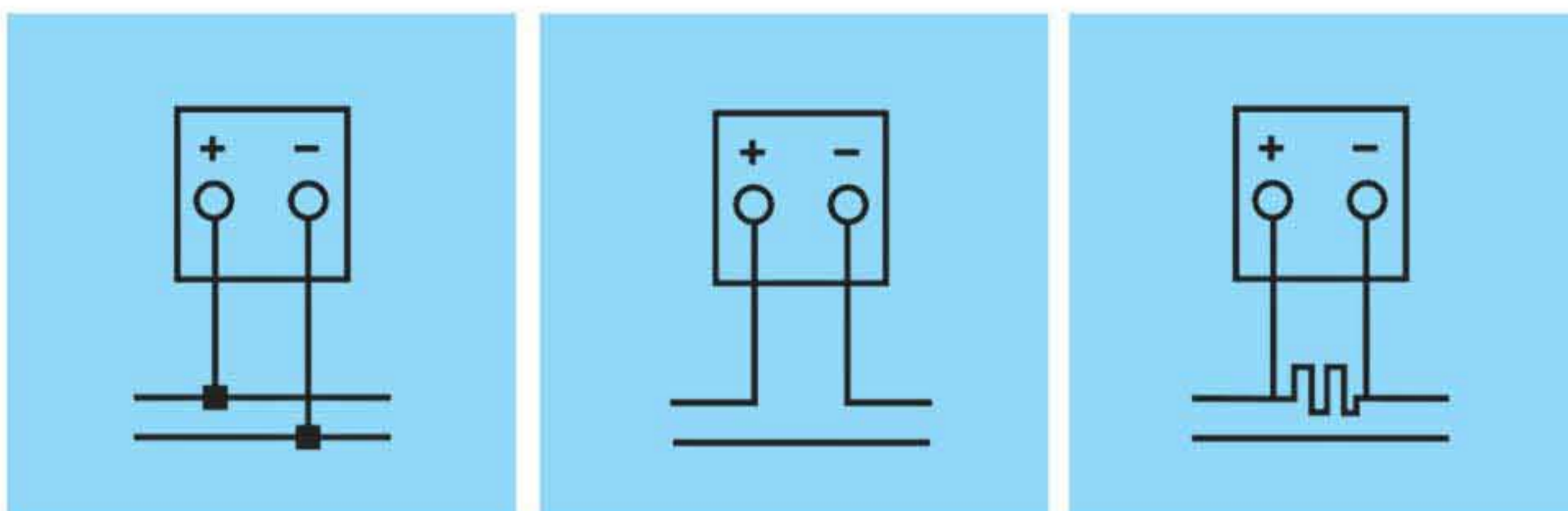
* With external Shunt ** With external CT

GENERAL SPECIFICATIONS

Accuracy Class	$\pm 1.5 / 2.0$ of FSD
Measurable quantities	AC Voltage and DC Voltage or Current
Pointer deflection	0 – 90°
Frequency	50/60Hz
Sensitivity	1000 Ω /V (Voltmeter); 200 Ω /V (Ammeter)
Overload capacity	According to IS: 1248 / IEC 51
Short duration for voltmeters	2 times for 5s: 1 overload 2 times for 0.5s: 9 overloads
Short duration for ammeters	10 times for 5s: 1 overload 10 times for 5s: 9 overloads
Continuously	1.2 times rated voltage or current
Operating Temperature	-10 to 55°C
Storage Temperature	-25 to 65°C
Relative Humidity	< 75% annual average, non-condensing

WIRING DIAGRAM

DC Moving Coil Voltmeters and Ammeters:

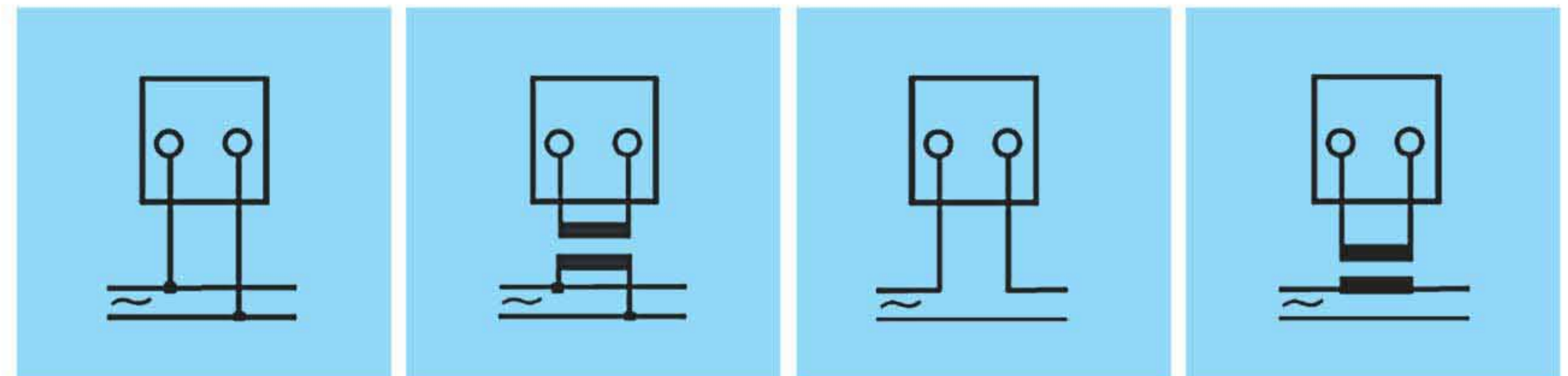


Voltmeter with direct connection

Ammeter with direct connection

Ammeter with shunt

AC Moving Coil Voltmeters and Ammeters:



Voltmeter with direct connection

Voltmeter with PT

Ammeter with direct connection

Ammeter with CT